

# First Alert®

## AM/FM WEATHER BAND CLOCK RADIO



### USER MANUAL SFA1100

**PLEASE READ THIS USER MANUAL COMPLETELY BEFORE OPERATING THIS UNIT AND RETAIN IT FOR FUTURE REFERENCE**

#### DEAR FIRST ALERT® CUSTOMER

Selecting fine audio equipment such as the unit you've just purchased is only the start of your musical enjoyment. Now it's time to consider how you can maximize the fun and excitement your equipment offers. This manufacturer and the Electronic Industries Association's Consumer Electronics Group want you to get the most out of your equipment by playing it at a safe level. One that lets the sound come through loud and clear without annoying blaring or distortion and, most importantly, without affecting your sensitive hearing.

Sound can be deceiving. Over time your hearing "comfort level" adapts to higher volumes of sound. So what sounds "normal" can actually be loud and harmful to your hearing. Guard against this by setting your equipment at a safe level BEFORE your hearing adapts.

#### To establish a safe level:

- Start your volume control at a low setting.
- Slowly increase the sound until you can hear it comfortably and clearly, and without distortion.

#### Once you have established a comfortable sound level:

- Set the dial and leave it there.
- Taking a minute to do this now will help to prevent hearing damage or loss in the future. After all, we want you listening for a lifetime.

#### We Want You Listening For a Lifetime

Used wisely, your new sound equipment will provide a lifetime of fun and enjoyment. Since hearing damage from loud noise is often undetectable until it is too late, this manufacturer and the Electronic Industries Association's Consumer Electronics Group recommend you avoid prolonged exposure to excessive noise.

#### Customer's Record:

The serial number of this product is found on its back cover. You should note the serial number of this unit in the space provided as a permanent record of your purchase to aid in identification in the event of theft of loss.

Model Number: SFA1100 Serial Number: \_\_\_\_\_

1

#### IMPORTANT SAFETY INSTRUCTIONS

When used in the directed manner, this unit has been designed and manufactured to ensure your personal safety. However, improper use can result in potential electrical shock or fire hazards. Please read all safety and operating instructions carefully before installation and use, and keep these instructions handy for future reference. Take special note of all warnings listed in these instructions and on the unit.

1. Read these instructions – All the safety and operating instructions should be read before the appliance is operated.
2. Keep these instructions – The safety and operating instructions should be kept for future reference.
3. Heed all warnings – All warnings on the appliance and in the operating instructions should be adhered to.
4. Follow all instructions – All operation and use instructions should be followed.
5. Do not use this apparatus near water – The appliance should not be used near water; for example, near a bath tub, washbowl, kitchen sink, laundry tub, in a wet basement, or near a swimming pool.
6. Clean only with dry cloth – The appliance should be cleaned only as recommended by the manufacturer.
7. Do not install near any heat sources such as radiators, heat registers, stoves, or other apparatus (including amplifiers) that produce heat.
8. Only use attachments / accessories specified by the manufacturer.
9. Refer all servicing to qualified service personnel. Servicing is required when the apparatus has been damaged in any way, such as power-supply cord or plug is damaged, liquid has been spilled or objects have fallen into the apparatus, the apparatus has been exposed to rain or moisture, does not operate normally, or has been dropped.
10. This appliance shall not be exposed to dripping or splashing water and that no object filled with liquids such as vases shall be placed on the apparatus.
11. Power Sources – The appliance should be connected to a power supply only of the type described in the operating instructions or as marked on the appliance. Do not overload wall outlet.
12. Danger of explosion if battery is incorrectly replaced. Replace only with the same or equivalent type.
13. Do not attempt to dismantle, open or repair this product yourself. If a fault occurs, seek advice from your local qualified service technician or contact the distributor via the telephone number at the back of this instruction manual.
14. Caution marking and nameplate are located on back of product.

2

#### COMPLIANCE WITH FCC REGULATIONS

This device complies with Part 15 of the FCC Rules. Operation is subject to the following two conditions:

- (1) this device may not cause harmful interference, and
- (2) this device must accept any interference received, including interference that may cause undesired operation.

NOTE: This equipment has been tested and found to comply with the limits for a Class B digital device, pursuant to Part 15 of the FCC Rules. These limits are designed to provide reasonable protection against harmful interference in a residential installation. This equipment generates, uses and can radiate radio frequency energy and, if not installed and used in accordance with the instructions, may cause harmful interference to radio communications. However, there is no guarantee that interference will not occur in a particular installation. If this equipment does cause harmful interference to radio or television reception, which can be determined by turning the equipment off and on, the user is encouraged to try to correct the interference by one or more of the following measures:

- Reorient or relocate the receiving antenna.
- Increase the separation between the equipment and receiver.
- Connect the equipment into an outlet on a circuit different from that to which the receiver is connected.
- Consult the dealer or an experienced radio/TV technician for help.

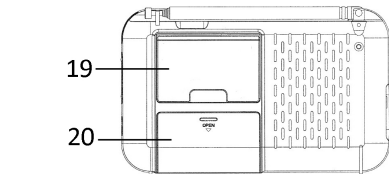
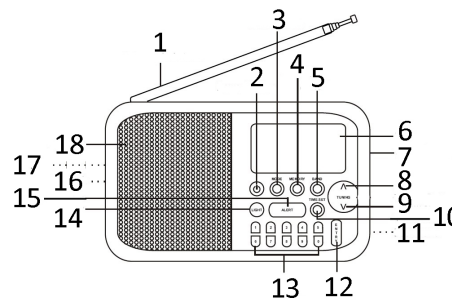
**CAUTION: Changes or modifications not expressly approved by the party responsible for compliance could void the user's authority to operate the equipment.**

#### SPECIAL NOTE

To prevent any scratching or damage to your furniture, we strongly recommend that you purchase small self-adhesive felt pads, available at hardware stores and home improvement centers everywhere, and apply these pads to the bottom of the unit before you place the product on any fine wooden furniture.

3

#### LOCATION OF CONTROLS



1. Telescopic Antenna
2. Power On/Standby Button
3. Mode Button
4. Memory Button
5. AM/FM/WEATHER Band Button
6. LCD Display
7. Volume Up (+)/Down (-) Button
8. Hour Set/Radio Tune Up Button
9. Minute Set/Radio Tune Down Button
10. Time Set Button
11. Key Lock Switch
12. Numeric Entry Button
13. Numeric Buttons
14. LCD Backlight ON/OFF Button
15. NOAA Weather Alert Button
16. DC Jack
17. Earbud Jack
18. Speaker
19. Foldable Stand
20. Battery Door

4

#### POWER SOURCE

This unit operates using the included AC-DC Adaptor or on 3 X AA batteries (not included).

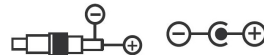
If the low battery icon appears flashing on the display, install or replace fresh "AA" batteries.

#### AC POWER OPERATION

An AC-DC Adaptor with the output 12V DC 250mA (included) is required for operating the main unit in AC power mode.

- 1.) To connect the AC-DC Adaptor to the unit, firmly and securely insert the DC plug of the adaptor into the DC Jack located on the left hand side of the back of the unit.
- 2.) Plug the AC-DC Adaptor plug into a household AC outlet that supplies 120V AC – 60Hz.

Connecting this system to any other power source may cause damage to the system. **NOTE:** When the AC-DC adaptor is connected to the DC Jack, the batteries are automatically disconnected. Be sure to use an AC-DC adaptor with a rating of 12V DC, 250 mA and with the following polarity (center positive "+").



If you are using a universal adaptor with an output polarity switch or polarized plugs, be sure to set the polarity of the center plug to positive "+".

#### BATTERY OPERATION

1. Open the Battery Door on the back of the radio.
2. Following the polarity (+ and -) diagrams shown inside the battery compartment, insert 3 "AA" (UM-3) batteries (not included).
3. Replace the Battery Door.

**IMPORTANT:** Be sure that the batteries are installed correctly. Wrong polarity may damage the unit.

#### BATTERY NOTE AND CARE

- Danger of explosion if the battery is replaced incorrectly. Replace only with the same or equivalent type.
- Do not mix old and new batteries.
- Do not mix alkaline, standard (carbon-zinc) or rechargeable (nickel-cadmium) batteries.
- If the unit is not to be used for an extended period of time, remove the battery. Any old or leaking battery can cause damage to the unit and may void the warranty.
- Do not dispose of batteries in fire, batteries may explode or leak.
- Do not try to recharge batteries not intended to be recharged; they can overheat, rupture and leak (Follow battery manufacturer's directions).
- Only an adult should replace the batteries.

5

#### LOW BATTERY INDICATOR

When using battery power to operate this unit and the battery power becomes weak, the low battery icon will appear flashing on the display. We recommend you replace the exhausted batteries immediately.

**NOTE:** These speakers are not magnetically shielded and may cause color distortion on the screen of some TVs or video monitors. To avoid this, you may need to move the speakers further away from the TV or monitor if unnatural color shifts or image distortion occurs.

#### CLOCK SETTING

When the unit is in standby mode:

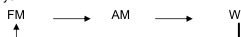
1. Press the TIME SET button to enter the clock setting mode, the display will be flashing to prompt for input.
2. Tap the TUNE button repeatedly to set the hour value. Press and hold the buttons to speed up the forward or reverse scanning of the digits.
3. Tap the TUNE button repeatedly to set the minute value. Press and hold the buttons to speed up the forward or reverse scanning of the digits.
4. Press the TIME SET button to finish clock setting.

**Note:** The hour and minutes will flash when you enter the clock setting mode. If no other buttons are pressed within 6 seconds, it will exit the clock setting mode automatically and the hour and minutes will stop flashing.

#### LISTENING TO THE RADIO

##### TUNING THE FM RADIO

1. Press the Power On/Standby button to turn on the unit, press the LIGHT button to turn on LCD backlight if necessary.
2. Tap the BAND button to select AM/FM/Weather band in below sequence. The radio indicator displays.



3. To manually tune to a desired station, repeatedly tap the TUNE / button.
4. To automatically search for stations with strong signals, press and hold the TUNE button until the frequency digits on display begins to scan then release the button. The tuner will stop on the first strong signal it finds.
5. You can also direct enter the radio station frequency by following steps via the 0 - 9 numeric buttons on the front panel.
  - 1.) Press the ENTRY button.
  - 2.) Press the numeric buttons. For example, press 8, 9, 8 to get to 89.8 MHz.
  - 3.) Press the ENTRY button to confirm.
6. Press VOLUME + / - button to obtain the desired sound level.
7. Press the button on main unit to turn unit into standby mode after listening.

6

8. Press the LIGHT button to turn off the LCD backlight if necessary.
9. Switch LOCK switch to lock front panel button actions if necessary.

#### Notes:

- Manual tune to select weaker stations that might be skipped during automatic tuning.
- If the automatic tuning does not stop on the exact frequency of the station, for example, it stops on 88.9 MHz instead of 88.8 MHz, use the manual tuning method to "fine tune" to the exact frequency of the desired station.
- If entered frequency by numeric buttons is invalid (out of range), error message "Err" will display on the screen and flashing for few seconds and then return to previous radio station before entering.
- In radio mode, press the MODE button will show current time for 5 seconds.

#### FM & FM STEREO RECEPTION

- When you listening to speaker of this unit, the FM reception will be in MONO mode, display shows "MONO".
- When you listening to headphone out of this unit, it will automatically switch to STEREO mode after plug in your earbuds. Display will show "ST" once the Stereo station being received.

#### HINTS FOR BEST RECEPTION:

- The AM antenna is located inside the cabinet of the unit. If AM reception is weak, change the position of unit until the internal antenna picks up the strongest signal.
- To insure maximum FM tuner reception, the Telescopic Antenna should be fully extended and rotated to obtain the best possible station reception.

#### PRESET RADIO STATIONS

This unit has 10 preset memories for the AM radio and 10 preset for FM.

1. Press the button to turn on the unit.
2. Tap the BAND button to select AM/FM band.
3. Tune to the desired radio station either by "manually" or "automatically" tuning method.
4. Tap the MEMORY button on the front panel to enable the program function, "PRESET" icon and the preset location "01" will show on the LCD display, "PRESET" icon will flash for 4 seconds.
5. Press the numeric button to select the preset number you want to assign the station to.
6. Tap the MEMORY button to confirm the setting.
7. Repeat above steps 3-6 to store other stations.

#### NOTE: Memory preset number 10 is entered by pressing Button 0.

#### RECALLING PRESET MEMORY CHANNELS

In AM/FM radio mode, recall the pre-set channels by press the numeric button on the front panel.

7

#### LISTENING TO A WEATHER CHANNEL

##### 1) Weather Band

1. Press the button to turn on the unit. Press the LIGHT button to turn on LCD backlight if necessary.
2. Tap the BAND button repeatedly until weather band channel "CH XX" appears on display, "XX" is the channel number from 01 - 07 of weather band.
3. Tap the TUNE / button to select your local weather broadcasting. You can direct press the numeric button 1 - 7 to access respective channel.
4. Press the VOLUME +/- button to obtain the desired sound level.
5. To turn the radio off, press the button.

##### Weather Band Channel Frequency Table

CHANNEL	FREQUENCY (MHz)
CH1	162.400
CH2	162.425
CH3	162.450
CH4	162.475
CH5	162.500
CH6	162.525
CH7	162.550

**Note:** With regard to the NOAA Weather Band: You need to identify which band receives your local weather band report. When you change locations either to another city or state, you may need to choose a different band to get the local report in that location.

#### HINTS FOR BEST RECEPTION:

- To insure maximum weather band reception, the Telescopic Antenna should be fully extended and rotated to obtain the best possible station reception.

#### 2) RECEIVING AN EMERGENCY WEATHER ALERT

The Weather Alert function allows you to set the weather radio to standby mode, and receive a loud signal warning if there is a severe weather emergency or warning in your area.

1. In Power on mode, tap the BAND button to select weather band until "CH XX" appears on display steadily.
2. Tap the TUNE / button to select your local weather station.
3. Press the ALERT button to activate the alert function, "NOAA" icon will appear on the display.
4. Press the button to enter Standby mode. Unit will sound a loud signal when there is an alert from the National Weather Service.
5. When you hear the loud siren sound, press the button to turn on the unit and then press the ALERT button in weather band receiving mode to hear further information.

8

6. To disable the alert function, press the ALERT button again until "NOAA" icon disappears in display. It is recommended to use the AC adaptor to power the radio when you turn on the NOAA Alert.
  - Note:** 1.) The radio will continue to drain the battery if it's left in Weather Standby Mode, so it is highly recommended that you use AC Adaptor (included) to prevent the battery from completely draining and turning the radio off while in use.
  - 2.) NOAA Weather band is a service broadcast of the U.S. Government and available in all 50 states, Puerto Rico and the U.S. Virgin Islands.
  - 3.) The NOAA Weather Service broadcasts a test alert every Wednesday between 11 am and Noon. To receive the broadcasts, the radio must be within the range of the local broadcast site, 10 - 40 miles, depending on terrain and obstructions.

#### To learn more:

Click on <http://www.nws.noaa.gov/twr/> for NOAA (National Oceanic & Atmospheric Administration) and <http://www.ec.gc.ca/> for Environment Canada.

#### USING EARBUDS (NOT INCLUDED)

Inserting the plug of your earbuds into the earbuds jack will enable you to listen in private. When using earbuds, the speakers will be disconnected.

#### Read this Important Information before Using Your Earbuds

- 1.) Avoid extended play at very high volume as it may impair your hearing.
- 2.) If you experience ringing in your ears, reduce the volume or shut off the unit.
- 3.) Keep the volume at a reasonable level even if your headset is an open-air type designed to allow you to hear outside sounds. Please note that excessively high volume may still block outside sounds.

#### DISPLAY BACKLIGHT

There are 3 different settings for the display backlight. Tap the LIGHT button repeatedly to go through the settings:

1. Always on.
2. Always off.
3. Turns on for 8 seconds if any button being pressed except LIGHT button and LOCK switch.

#### CARE AND MAINTENANCE

1. Do not subject the unit to excessive force, shock, dust or extreme temperature.
2. Do not tamper the internal components of the unit.
3. Clean your unit with a damp (never wet) cloth. Solvent or detergent should never be used.
4. Avoid leaving your unit in direct sunlight or in hot, humid or dusty places.
5. Keep your unit away from heating appliances and sources of electrical noise such as fluorescent lamps or motors.

**CAUTION:** Never allow any water or other liquids to get inside the unit while cleaning.

9

#### Resetting the Unit

If the unit experiences a power surge or electric shock, it is possible that the internal micro-controller may lock up and the unit will not respond to any commands from the panel controls. In this event, unplug AC adaptor and remove all dry cell batteries, wait for 10 minutes, reinstall all batteries and reconnect the AC adaptor. The unit will be reset to 12:00 AM and all of your previous settings will be erased.

#### TROUBLESHOOTING GUIDE

If you experience difficulties in the use of this music system please check the following or call 1-800-777-5331 for Customer Service.

Symptom	Possible Cause	Solution
No/low sound when power on the radio	VOLUME control is set to minimum. Station has not been tuned properly. FM reception is weak. AM reception is weak. Unit in Weather Alert Mode	Adjust the VOLUME control. Tune the station properly. Extend and rotate the telescopic antenna. Relocate the position of the unit. Select AM, FM or WB mode as desired.
Power is not on	The "AA" batteries are exhausted.	Replace all 3 "AA" batteries with fresh ones.
Unit gets warm after extended play at high volume.	This is normal.	Turn the unit off for a period of time or lower volume.

10

#### SPECIFICATION

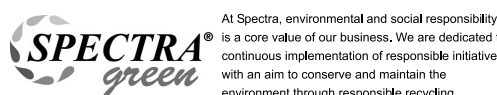
##### Power requirement:

DC Input: DC 12V, 250 mA or 3 X AA (UM-3) Batteries

##### Frequency Range

Radio Band: FM 87.5 - 108 MHz  
AM 520 - 1710 KHz  
WX CH1 - 7

©2014 BRK Brands Inc, All rights reserved. First Alert® is a registered trademark of the First Alert Trust.



At Spectra, environmental and social responsibility is a core value of our business. We are dedicated to continuous implementation of responsible initiatives with an aim to conserve and maintain the environment through responsible recycling.

Please visit us at <http://www.spectrainfl.com/green.htm> for more information on Spectra's green initiatives or to find a recycler in your area.

11

#### 1 YEAR LIMITED WARRANTY AND SERVICE VALID IN THE U.S.A. ONLY

This product is manufactured, distributed or sold by SPECTRA MERCHANDISING INTERNATIONAL, INC., official licensee for this product. All right, title and interest to use the "First Alert" logo trademarks and the "First Alert" trade dress are exclusively licensed by BRK Brands, Inc. and are used under license from BRK Brands, Inc. Please contact SPECTRA's Service Department for questions/comments, warranty, support, or service related to this product.

SPECTRA MERCHANDISING INTERNATIONAL, INC. warrants that this product 1) is free from defects in materials and workmanship and 2) conforms to its specifications for a period of 1 year from the date of original customer purchase and provided the product is utilized within the U.S.A. This warranty is not assignable or transferable. Our obligation under this warranty is the repair or replacement of the defective unit or any part thereof, except batteries, when it is returned to the SPECTRA Service Department, accompanied by proof of the date of original consumer purchase, such as a duplicated copy of a sales receipt.

You must pay all shipping charges required to ship the product to SPECTRA for warranty service. If the product is repaired or replaced under warranty, the return charges will be at SPECTRA's expense. There are no other express warranties other than those stated herein.

This warranty is valid only in accordance with the conditions set forth below:

1. The warranty applies to the SPECTRA product only while:
  - a. It remains in the possession of the original purchaser and proof of purchase is demonstrated
  - b. It has not been subjected to accident, misuse, abuse, improper service, usage outside the descriptions and warnings covered within the owner's manual or non-SPECTRA approved modifications
  - c. Claims are made within the warranty period
2. This warranty does not cover damage or equipment failure caused by electrical wiring not in compliance with electrical codes or SPECTRA owner's manual specifications, or failure to

12

provide reasonable care and necessary maintenance as outlined in the owner's manual.  
3. Warranty of all SPECTRA products applies to residential use only and is void when products are used in a nonresidential environment or installed outside the United States.

This warranty gives you specific legal rights, and you may also have other rights which vary from state to state. TO OBTAIN SERVICE please remove all batteries (if any) and pack the unit carefully and send it prepaid by insured parcel post or UPS to SPECTRA at the address shown below. IF THE UNIT IS RETURNED WITHIN THE WARRANTY PERIOD shown above, please include a proof of purchase (dated cash register receipt) so that we may establish your eligibility for warranty service and repair of the unit without cost. Also include a note with a description explaining how the unit is defective. A customer service representative may need to contact you regarding the status of your repair, so include your name, address, phone number and e-mail address to speed the process.

IF THE UNIT IS OUTSIDE THE WARRANTY PERIOD, please include a check for \$15.00 to cover the cost of repair, handling and return postage. All out of warranty returns must be sent prepaid.

It is recommended that you contact SPECTRA first at 1-800-777-5331 or by e-mail at [custserv@spectrainfl.com](mailto:custserv@spectrainfl.com) for updated information on the unit requiring service. In some cases the model you have may be discontinued and SPECTRA reserves the right to offer alternative options for repair or replacement.

SPECTRA MERCHANDISING INTERNATIONAL, INC.  
4230 North Normandy Avenue,  
Chicago, IL 60634, USA.  
1-800-777-5331

To register your product, visit the link below on the website to enter your information.  
<http://www.spectrainfl.com/wform.htm>

0414

Printed in China

13