



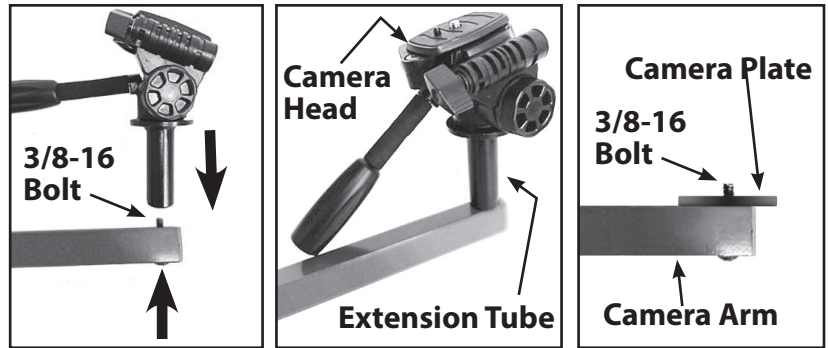
# Hunt Hard Camera Arm Model MUD-MCA150

## ASSEMBLY INSTRUCTIONS

**STEP 1:** Attach **extension tube** with **camera head** onto end of **camera arm** using 3/8-16 carriage bolt. Tighten extension tube onto camera head.

**Note:** Camera arm can be used without extension tube. Replace extension tube with included round camera plate.

**STEP 2:** Attach your camera to camera head following your camera's instruction manual.



## INSTALLATION INSTRUCTIONS

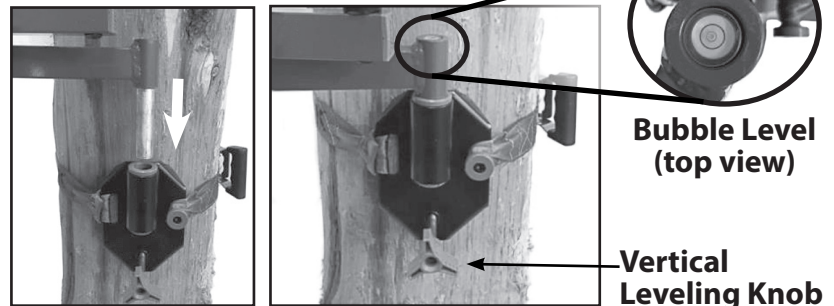
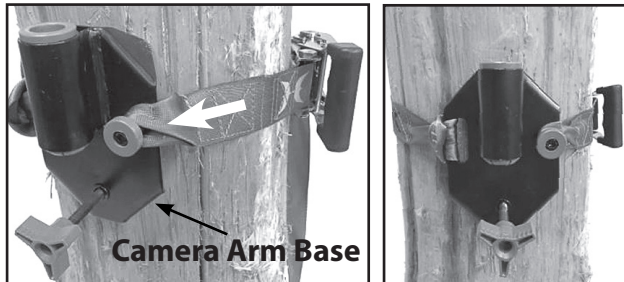
**STEP 1:** Install **camera arm base** onto tree by looping **ratchet strap** around tree and attaching loop on front of base. Level tree base and tighten ratchet strap by following ratchet instructions.

**Warning:** Always follow manufacturers safety harness and treestand instructions when installing and using this product.

**STEP 2:** Install **camera arm post** into **camera arm base**. Using **bubble level** adjust base by turning **vertical leveling knob** until bubble is in circle.

**Note** if horizontal leveling is needed remove camera arm, loosen ratchet strap and adjust base angle. Retighten strap and install camera arm. Camera arm is ready for use.

To remove, reverse instructions.



Bubble Level  
(top view)

Vertical  
Leveling Knob

### RATCHET INSTRUCTIONS:

**STEP 1.** Thread strap through slot in the center of the ratchet reel (See FIG. 1). Remove slack from strap by pulling loose end as tightly as possible (See FIG. 2).

**STEP 2.** Then ratchet handle back and forth to tighten straps, a minimum of two (2) wraps around the ratchet reel is required (See FIG. 3).

**STEP 3.** After strap is tight, close handle to the lock position.

**STEP 4.** To remove tension, pull spring loaded retaining lock and open ratchet completely, then manually pull strap to loosen (See FIG. 4).

