



CMS

Cable Management Solutions

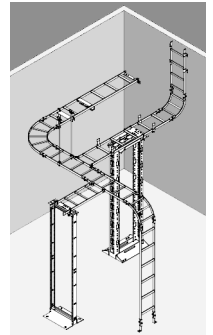
Ladder Rack

INSTALLATION INSTRUCTIONS

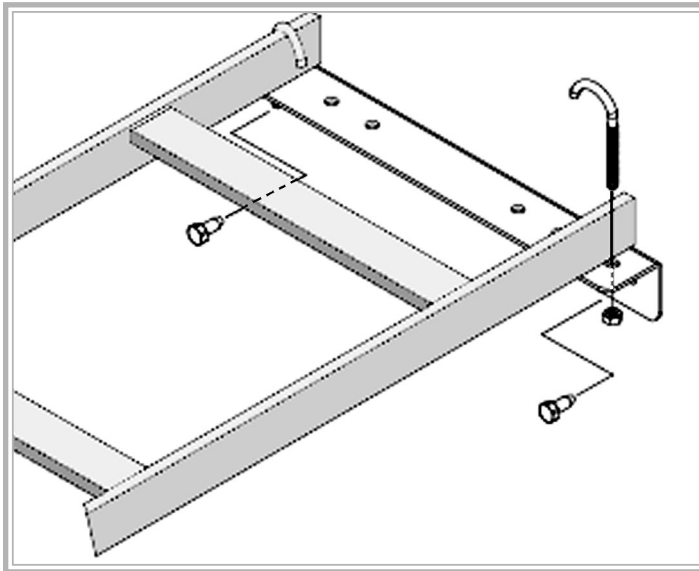
ICC's Ladder Rack, known as CMSLink, is sturdy enough to stand up to the competition with its 16 gage steel construction. Its corrosion resistant, black, powder coat finish matches ICC's cable management and distribution racks along with all the rack panels, shelves, and drawers.

Unlike the competition, our ceiling mount kit comes complete with the ceiling and ladder interface brackets and the two 6-foot rods required to mount them together and to the ladder section. ICC's cable retaining posts come in pairs, so you get two fence posts to put on opposite sides or the same side of the ladder.

Straight ladder sections are available in 5 and 10-foot lengths and are 12 inches wide. Ladder Supporting Kits include J-bolts to secure ladder sections, but do not include hardware to mount to wall, ceiling, or floor.

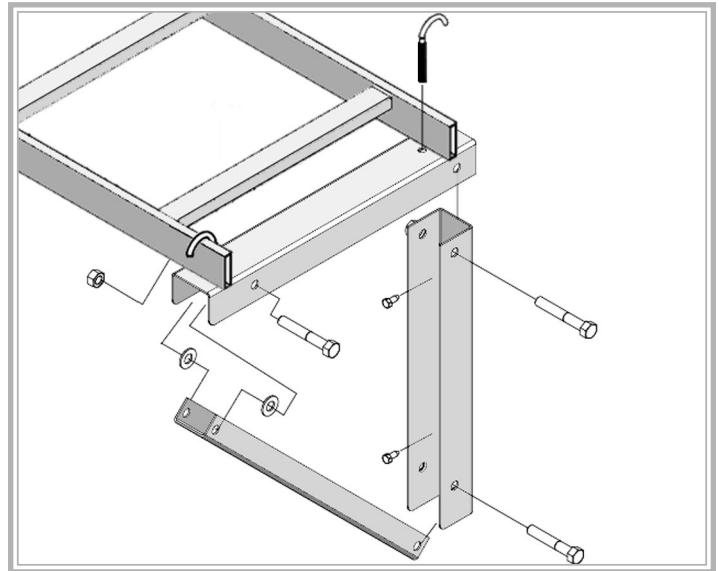


ICCM^{SL}AWSK Perpendicular Angled Wall Support Kit



- Includes 1 support bracket and 2 J-Bolts
- Wall fasteners are Not Included
- Hole size for mounting to wall = 0.35"

ICCM^{SL}TWSK Parallel (Triangle) Wall Support Kit

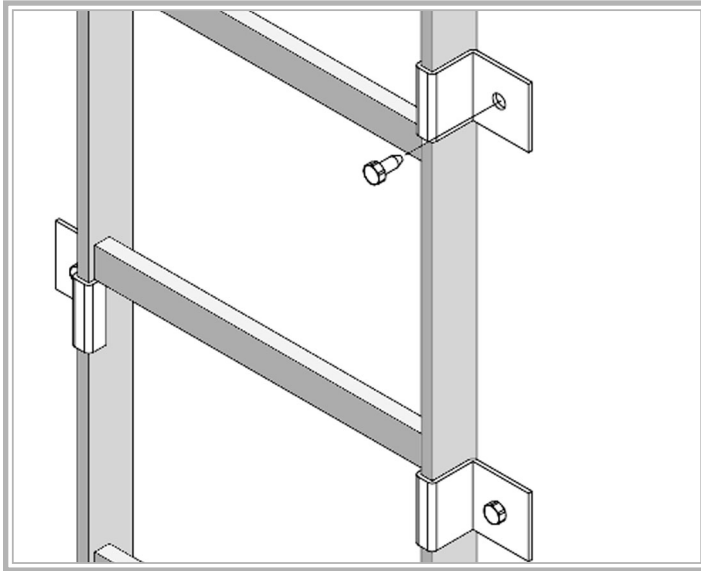


- Includes 3 piece triangle bracket, 3 bolts & lock nuts to assemble triangle, 2 spacer washers, and 2 J-Bolts.
- Wall fasteners not included
- Hole size for mounting to wall 0.38"

CUSTOMER CARE / TECHNICAL SUPPORT • CSR@ICC.COM / 888-275-4422 (ASK-4-ICC)

ICCMSLVWBK

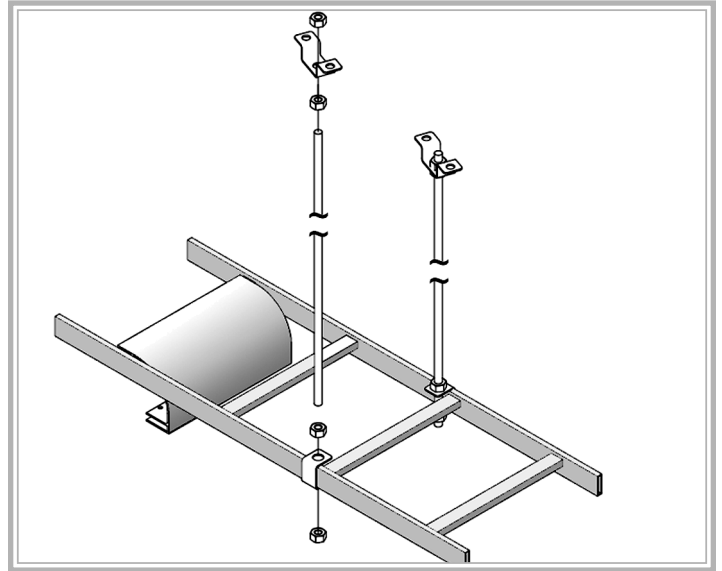
Vertical Wall Support Brackets



- Includes 2 brackets
- Wall fasteners not included
- Hole size for mounting to wall 0.43"

ICCMSLCMRK

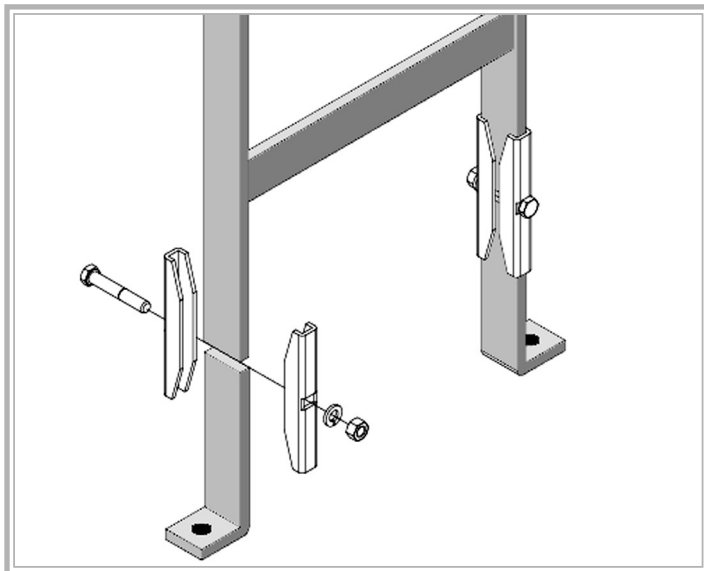
Ceiling Mount Kit with Rods



- Includes 2 6' threaded rods, 2 ladder brackets, 2 ceiling brackets, and 8 nuts to secure rods to ladder and ceiling brackets
- Ceiling fasteners not included
- Hole size for mounting to ceiling 0.53"

ICCMSLMFFK

Mount to Floor (Feet) Kit

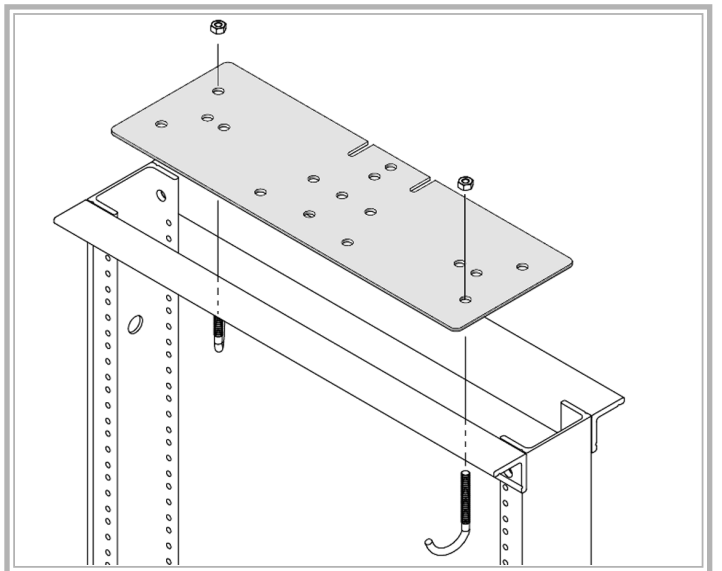


- Includes 2 feet and the Butt splice kit
- Floor fasteners not included
- Hole size for mounting to floor 0.55"

ICCMSLRRBK

Ladder to Relay Rack Bracket Kit

Ladder Mounting Perpendicular to Distribution Rack



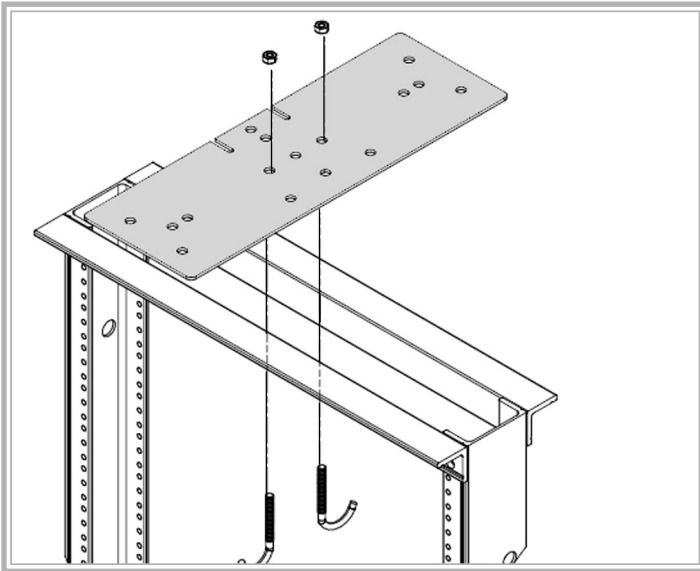
- Includes 1 mounting plate and 4 J-Bolts

CUSTOMER CARE / TECHNICAL SUPPORT • CSR@ICC.COM / 888-275-4422 (ASK-4-ICC)

ICCM SLRRBK

Ladder to Relay Rack Bracket Kit

Ladder Mounting Parallel to Distribution Rack

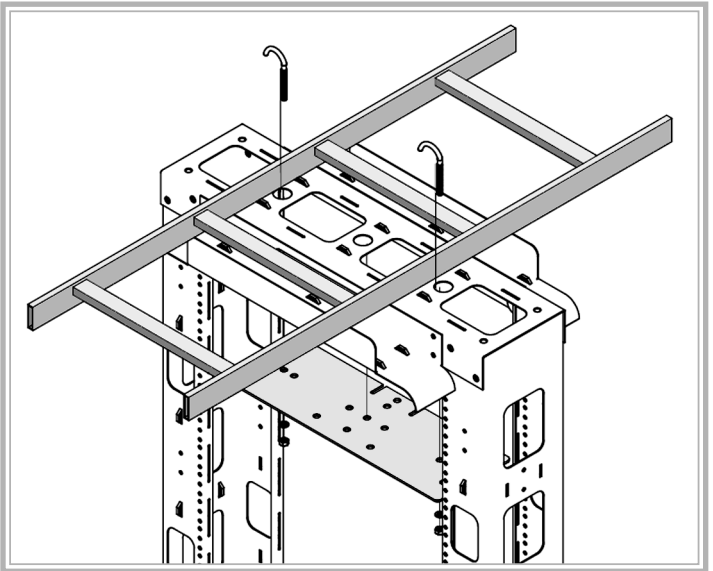


- Includes 1 mounting plate and 4 J-Bolts

ICCM SLRRBK

Ladder to Relay Rack Bracket Kit

Ladder Mounting Perpendicular to Distribution Rack

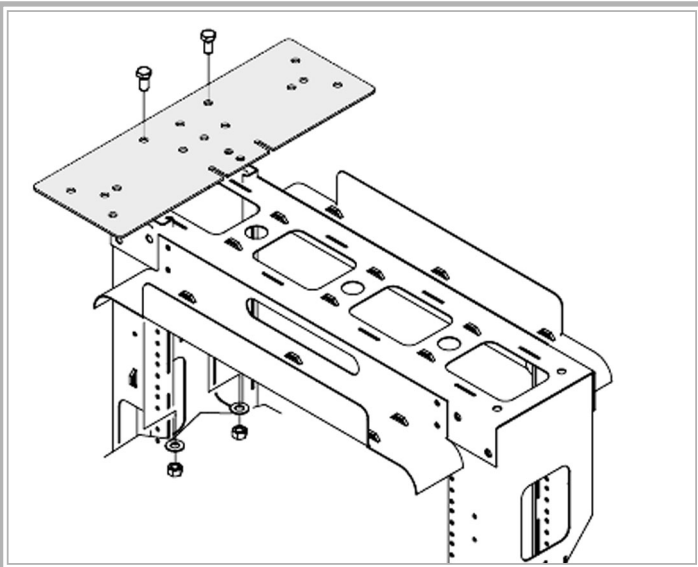


- Includes 1 mounting plate and 4 J-Bolts
- J-Bolts insert over ladder, thru rack top, thru plate, and secure with nuts under plate, leaving you with 2 extra J-Bolts

ICCM SLRRBK

Ladder to Relay Rack Bracket Kit

Ladder Mounting Parallel to Distribution Rack



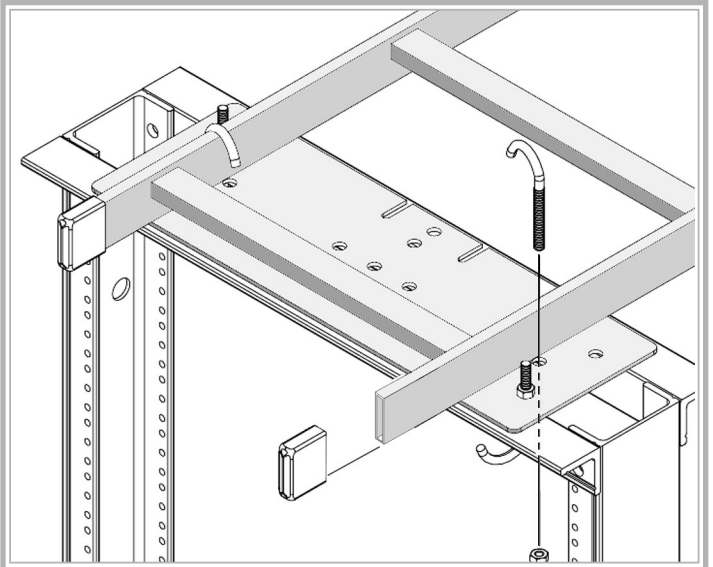
- Includes 1 mounting plate and 4 J-Bolts
- Nuts and Bolts for this type of mounting are not included
- Mounting Holes are .375"

ICCM SLRRBK

Ladder Mounting

ICCM SLPECK

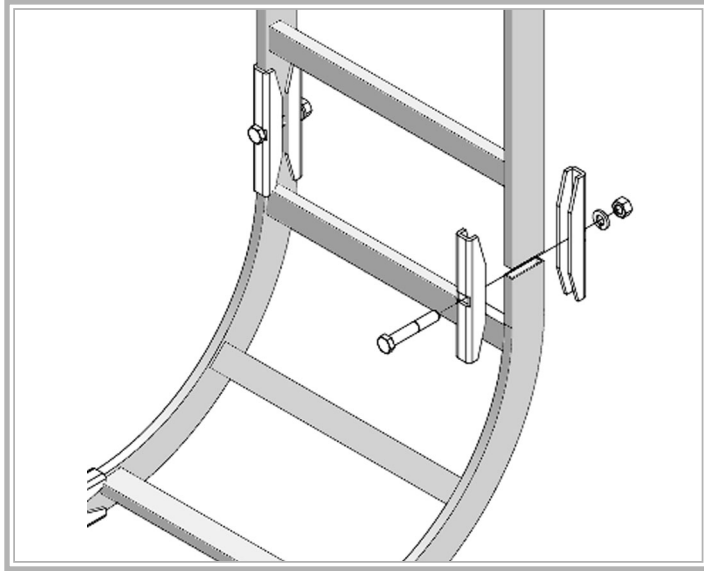
Protective End Caps



- J-Bolts mount Inside or Outside of Ladder
- End Caps are also available separately as: ICCM SLPECK which includes 2 end caps.

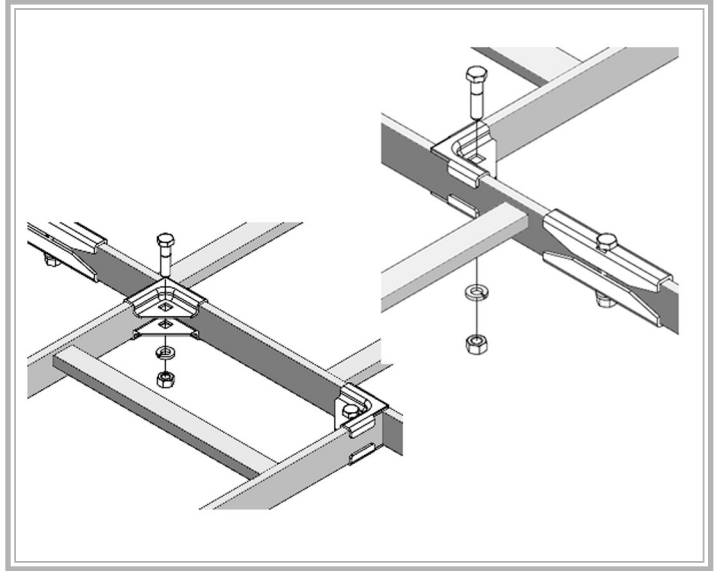
CUSTOMER CARE / TECHNICAL SUPPORT • CSR@ICC.COM / 888-275-4422 (ASK-4-ICC)

ICCMSLEBSK
End to End (Butt) Splice Kit



- Includes 4 brackets, 2 nuts and 2 bolts to splice 1 section of ladder as an extension of another

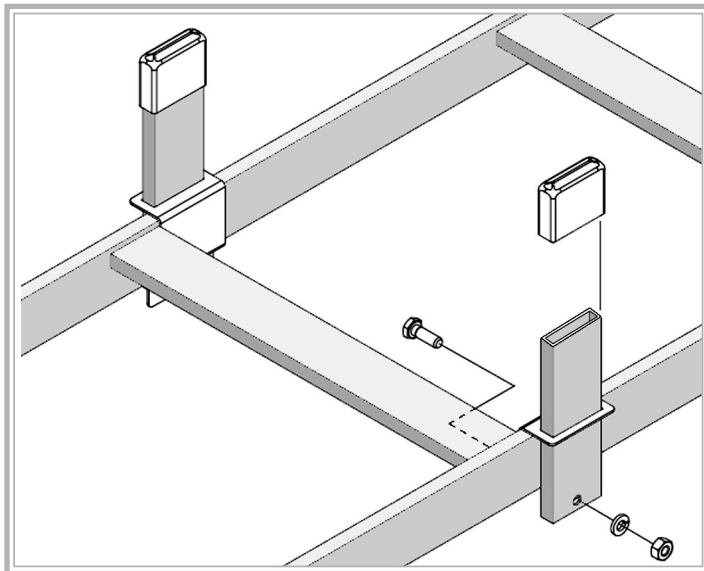
ICCMSLTJSK
T-Junction Splice Kit



- Includes 4 brackets, 2 nuts and 2 bolts to splice 1 section of ladder perpendicularly to another
- Can be mounted inside or outside of the rails to be junctioned.

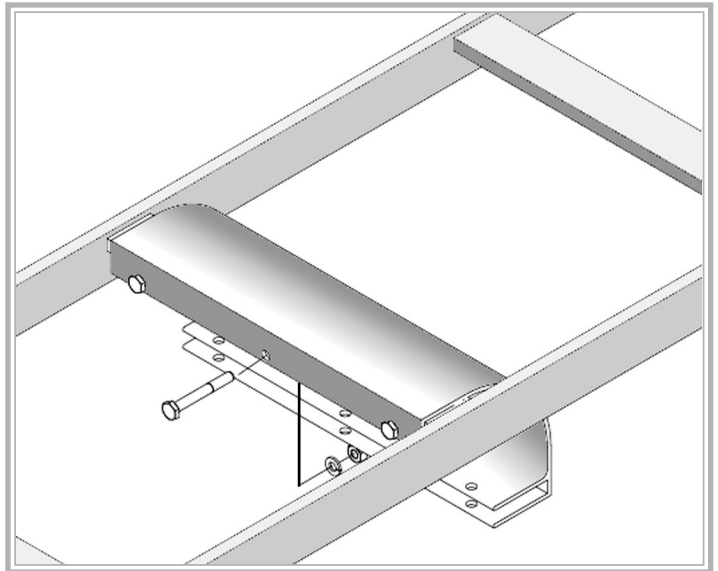
ICCMSLCRPK
Cable Retaining Posts Kit

ICCMSLPECK
Protective End Caps



- Cable Retaining Post Kit includes 2 10" posts, 2 brackets, 2 nuts, 2 bolts, and 2 end caps to make an 8" high fence for retaining the cable.
- End Caps are also available separately as: ICCMSLPECK which includes 2 end caps.

ICCMSLCRDK
Cable Radius Drop



- Includes 1 radius controlled drop, 6 bolts and 3 nuts

CUSTOMER CARE / TECHNICAL SUPPORT • CSR@ICC.COM / 888-275-4422 (ASK-4-ICC)